

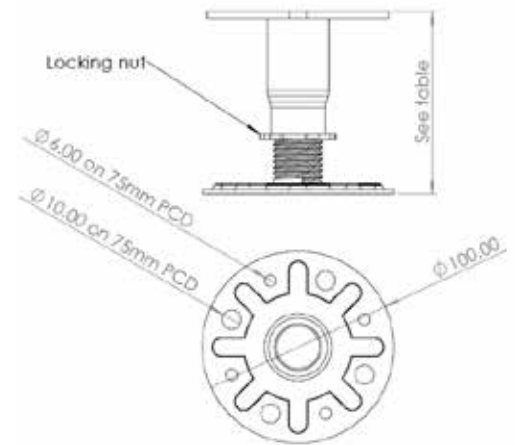
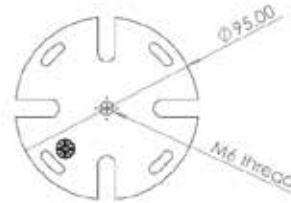
- A1 Fire Rated
- Easy installation, adjustable, and with optional upgrades to cover slope correction and direct tile installation
- The pedestals have been coated in a unique finish to give unrivalled environmental protection
- The pedestals are designed to work directly with the base structure system, and also with a range of porcelain tiles
- Zinc Passivated Steel - Zintec 200



PRODUCT DETAILS

Product code: Height Adjustment (mm):

79PED50	50 - 75
79PED75	75 - 115
79PED110	110 - 185
79PED185	185 - 260
79PED250	250 - 325



All pedestals are dimensionally identical, except for the height.

79PEDSC Pedestal Slope Compensator

The pedestal slope compensator is a fully metal construction and complies with A1 fire ratings.

If required, the pedestal slope compensator fits directly on the top of the pedestal, giving a slope correction of up to 5 degrees. When installed as shown in the picture, the compensator can be used directly with a range of 2cm thick tiles.

If the pedestal slope compensator is flipped over, it can be used directly with the base structure range of products.

The pedestal slope compensator is easy to adjust and can be fixed at the desired angle. At just 15mm tall, it is the lowest build up slope compensator available on the market.



79PEDCSP Pedestal Cradle Spreader Plate

The cradle spreader plate is designed to work seamlessly with the pedestals, however, it will also fit other pedestals with a 100mm base. The cradle spreader plate has a diameter of 185mm, which more than exceeds the requirements for installation over rubber bond roofs or insulation. The cradle spreader plate slide fits onto the base of the pedestal to provide a secure fit. With its high performance zinc coating, this product will provide years of trouble free service.



Product code:

Description:

79PES01

End Stop for Paving

- Suitable for tiles, pavers, etc. up to 2cm thick
- 3mm deep starter and end stop, which works seamlessly with the paving plate
- Used at the beginning and end of each run of tiles to secure the tiles
- Slotted, countersunk fixings for ease of installation on site
- Black anodised finish for long life
- Large contact area to reduce stress on the tiles
- Removable spacing pin to maintain tile spacing at the same time as securing the tiles
- Fully compatible with any of the Synergised™ base joists



79PP01

Paving Plate

- Suitable for tiles, pavers, etc. up to 2cm thick
- 3mm deep plate, which creates 3mm tile spacing
- Snap-off tabs for location where a brick bond pattern is required
- Slotted, countersunk fixings for ease of installation on site
- Black anodised finish for long life
- Large contact area to reduce stress on the tiles
- Fully compatible with any of the Synergised base joists



Whilst every effort has been made to ensure the accuracy of the information supplied. F.H. Brundle cannot be held responsible for any errors or omissions. This product must only be employed for its original intended use. Any other use is wrong and potentially dangerous. Installation must be carried out in full compliance with current regulations. F.H. Brundle cannot be held liable for any damages resulting from wrongful, erroneous or negligent use.