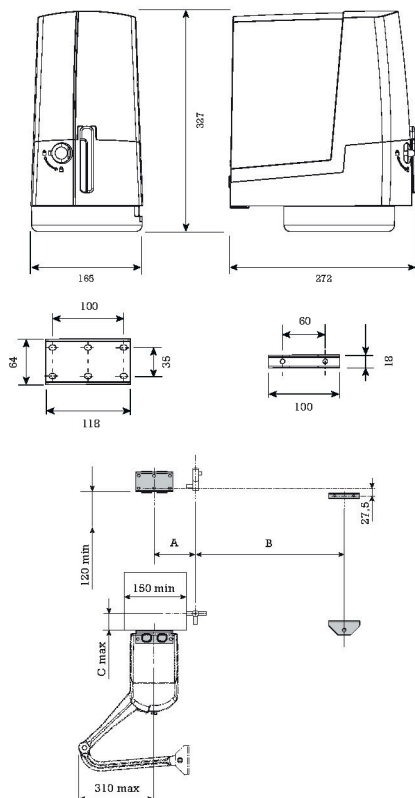


DIMENSIONS

DIMENSIONS (mm)



TECHNICAL FEATURES

| TYPE | 21UOPB1000 |
|-----------------------------|------------|
| Protection rating (IP) | 44 |
| Power supply (V - 50/60 Hz) | 230 AC |
| Power supply motor (V) | 24 DC |
| Max. draw (A) | 4 |
| Stand-by consumption (W) | 7 |
| Consumption with GP1 (W) | 1.15 |
| Max. power (W) | 140 |
| Duty cycle (%) | 50 |
| Operating temperature (°C) | -20 ÷ +55 |
| Insulation class | I |
| Opening time at 90° (s) | 19 ÷ 25 |
| Reduction ration (i) | 1 / 1680 |
| Thrust (N) | 150 |
| Weight (kg) | 10.5 |

LIMITS TO USE

| TYPE | 21UOPB1000 | | |
|----------------------------|------------|-----|-----|
| Max. gate leaf length (m) | 1.0 | 1.7 | 2.2 |
| Max. gate leaf weight (kg) | 250 | 225 | 200 |

APPLICATION SIZE (mm)

| OPENING (°) | A | B | C - MAX. |
|-------------|---------|-----|----------|
| 90 | 140 | 420 | 150 |
| 90 | 160-180 | 380 | 150 |
| 110 | 200-220 | 400 | 50 |

Whilst every effort has been made to ensure the accuracy of the information supplied, F.H.Brundle cannot be held responsible for any errors or omissions. This product must only be employed for its original intended use. Any other use is wrong and potentially dangerous. Installation must be carried out in full compliance with current regulations. F.H.Brundle cannot be held liable for any damages resulting from wrongful, erroneous or negligent use.

Southampton

Tel: 023 8070 3333
Fax: 023 8070 5555

Rainham

Tel: 01708 25 35 45
Fax: 01708 25 35 50

Ilkeston

Tel: 0115 930 2070
Fax: 0115 951 2455

Birmingham

Tel: 0121 565 8282
Fax: 0121 565 8292

Haydock

Tel: 01942 86 88 88
Fax: 01942 86 88 99

Edinburgh

Tel: 0131 335 5999
Fax: 0131 335 5911

Glasgow

Tel: 0141 332 3231
Fax: 0141 332 7325



F.H.BRUNDLE
SERVING THE TRADE SINCE 1889

www.fhbrundle.co.uk
sales@brundle.com