

Fixing screw, self-tapping for plastic frames with steel core and aluminium frame, top fix & side-fix



**Plastic Frame:**

The screw needs a 1.5mm steel core in the frame profile

**Aluminium Frame:**

The screw needs 2 walls with 't' total  $\geq 3.2\text{mm}$

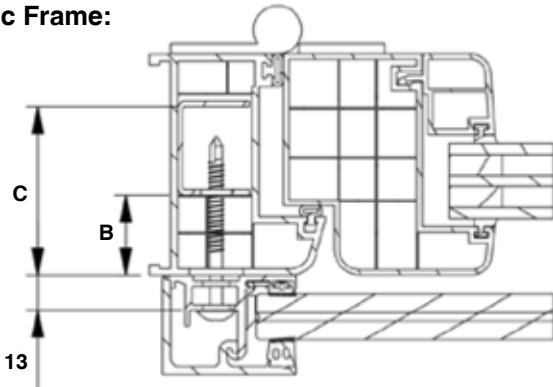
**Aluminium Frame:**

Maximum screw length 45mm

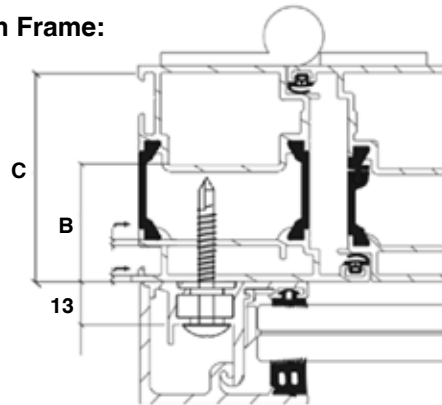
**Material:**

Zinc plated steel

**Plastic Frame:**



**Aluminium Frame:**



Length mm	B	C	Code
45	0 - 14	35	1899006132
55	15 - 24	45	1899006133
65	25 - 34	55	1899006134
75	35 - 44	65	1899006135
85	45 - 54	75	1899006136*

Length mm	B	C	Code
95	55 - 64	85	1899006137*
105	65 - 74	95	1899006138
125	75 - 94	115	1899006139
150	95 - 120	140	1899006140

Stainless steel Grade 316 fixing anchors for aluminium, steel, concrete & stone

**Aluminium Frame**



**Steel**



**Concrete**



**Stone**



Description	Code
Top-Fix	1899006115
Side-Fix	1899006128

Description	Code
Top-Fix	1899006117
Side-Fix	1899006129

Description	Code
Top-Fix	1899006119
Side-Fix	1899006130

Description	Code
Top-Fix	1899006118
Side-Fix	1899006131

Whilst every effort has been made to ensure the accuracy of the information supplied. F.H. Brundle cannot be held responsible for any errors or omissions. This product must only be employed for its original intended use. Any other use is wrong and potentially dangerous. Installation must be carried out in full compliance with current regulations. F.H. Brundle cannot be held liable for any damages resulting from wrongful, erroneous or negligent use.