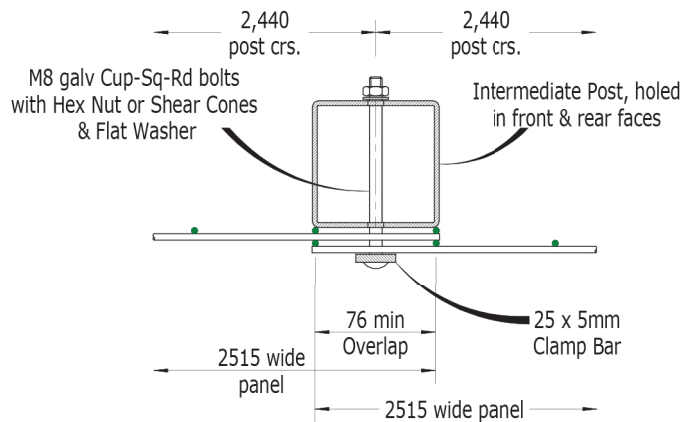
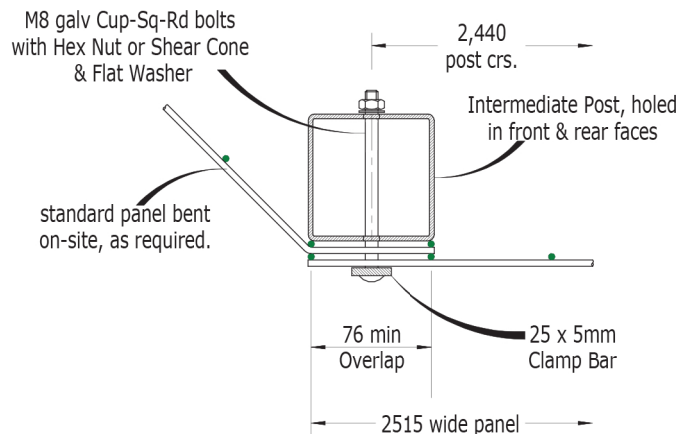


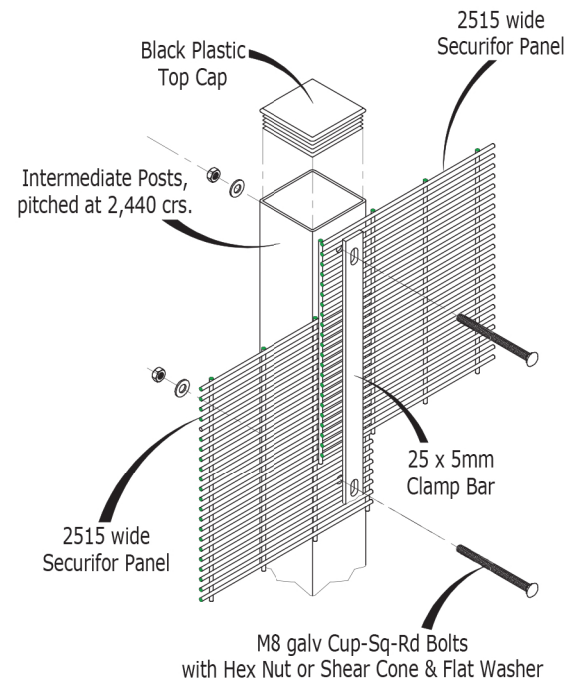
TYPICAL FIXING DETAILS FOR INTERMEDIATE POSTS



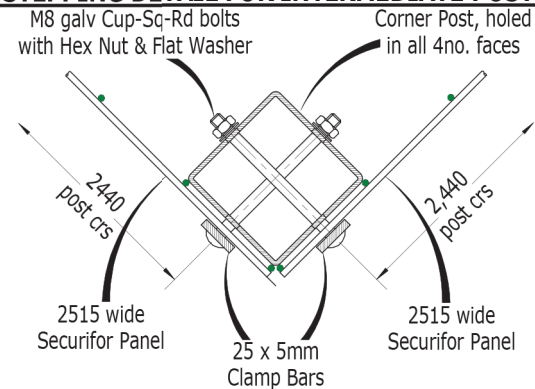
PLAN VIEW ON INTERMEDIATE POSTS



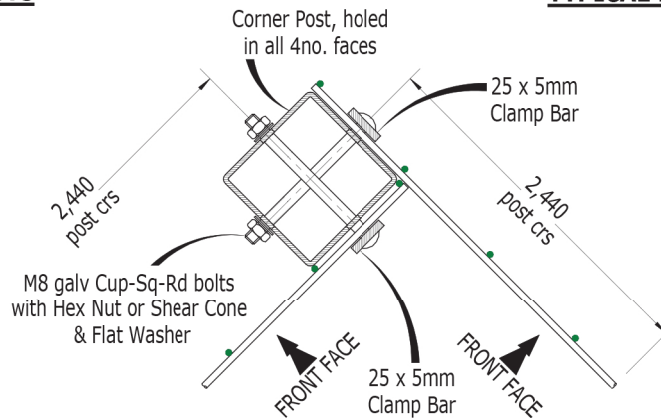
PLAN VIEW ON OBTUSE CORNERS



TYPICAL 102mm STEPPING DETAIL FOR INTERMEDIATE POSTS



PLAN VIEW ON EXTERNAL CORNER



PLAN VIEW ON INTERNAL CORNER

SECURIFOR 358

Drawn

Date

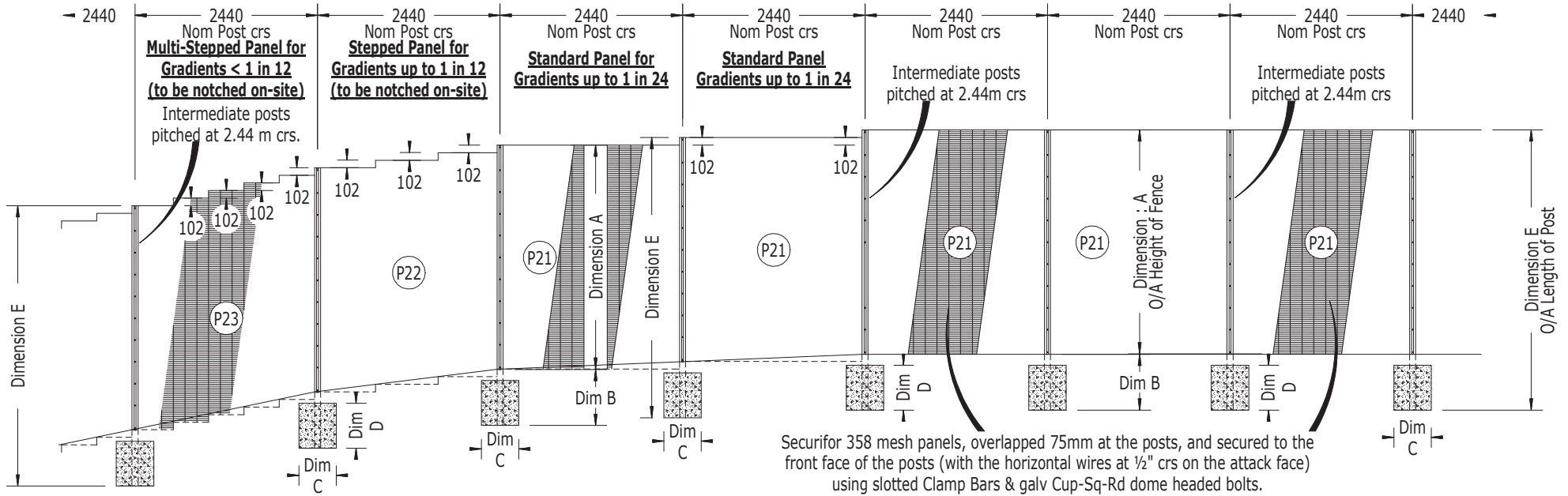
Drawing No :

28.09.12

SEC-358-B

REV
b

The Securifor 358 Security system satisfies the requirements for Category 2 (Security) fences as prescribed by BS 1722 Part 14 - Open Mesh Steel Panel Fences



ADDITIONAL SECURITY OPTIONS

For additional security, the bottom edge of the standard Securifor 358 panels may be "staked" at finished ground level with hairpin staples (Not By Betafence Ltd). Alternatively, the panels may be extended to facilitate burial below finished ground level. The panels may be extended by between 150mm & 300mm to enable burial in a trench which may be backfilled with pea gravel or concrete.

SECURITY TOPPINGS

Fence posts may be supplied with a variety of optional additional cost security toppings:

- Vertical Extensions** - To support 3 rows of barbed wire or Barbed Tape.
- Cranked Top** - (Inward or Outward Crank) To support 3 rows of Barbed Wire or Barbed Tape.
- Y-Top** - To support either 3 rows of Barbed Wire or Barbed Tape on each arm of the Y-Top or Concertina Barbed Tape positioned between the arms of the Y-Top.
- T-Top** - To support Concertina Barbed Tape topping.

Electric Topping - Betafence Secura Pulse Electrified Security Topping

When using Security Toppings, Strainer posts (with Bracing Struts & Cross Stays) are required to tension the Topping and should be provided at all Ends, Corners, Changes in Level, and at 69m intervals in straight lengths.

GRADIENTS

- (P21) RECTANGULAR PANEL** - 2515 wide x system height, for level ground and for gradients less than 1 in 24 by stepping adjoining panels 102mm max.
- (P22) STEPPED PANEL** - 2515 wide x system height + 204mm, to suit all gradients from 1 in 24 to 1 in 12.
- (P23) MULTI-STEPPED PANEL** - 2515 wide x system height + stepping requirement specified by customer, as required by stepping in increments of 102, to suit all gradients less than 1 in 12.

CUTTING ON-SITE

All Securifor 358 mesh panels are supplied to site in a standard width of 2515mm. Panels for make-up bays must be cut to suit on-site in 76.2mm increments, and made good using a zinc-etch primer paint, followed by a top coat of Cromadex polyurethane repair paint.

All protruding bolts must be cut, so that they do not project beyond the nut or shear cone, to prevent injury. Cut edges of bolts to be repaired as specified in EN ISO 1461.

FOUNDATIONS

The foundation sizes indicated are for "normal" ground conditions only, and may require modification to suit the prevailing ground conditions on-site.

SETTING POSTS IN CONCRETE

Concrete Mix : GEN 1 or ST2 - to BS EN 206-1 using 20mm nominal size graded aggregates.
Alternative for small batch : the mix should not be leaner by mass than 1 part cement to 10 parts 20mm nom graded aggregates.
All holes to be excavated neatly and with vertical sides.
All concrete should be thoroughly compacted prior to the initial set.

Dim : A Fence Height	Dim : B Depth Of Hole	Dim : C Size Of Found's	Dim : D Depth Of Concrete	Dim : E O/A Length Of Post	Recommended Section Size	Fixings	
						Inters	Corners
2.0m	700mm	300mm x 300mm	550mm	2700mm	60 x 60 x 2.5mm RHS	7no.	2 x 7no.
2.4m	700mm	400mm x 400mm	550mm	3100mm	60 x 60 x 2.5mm RHS	9no.	2 x 9no.
2.7m	700mm	450mm x 450mm	550mm	3400mm	80 x 80 x 2.5mm RHS	10no.	2 x 10no.
3.0m	800mm	450mm x 450mm	550mm	3800mm	80 x 80 x 2.5mm RHS	11no.	2 x 11no.

SECURIFOR 358

Drawn	Date	Drawing No :
	28.09.12	SEC-358-A
		REV b