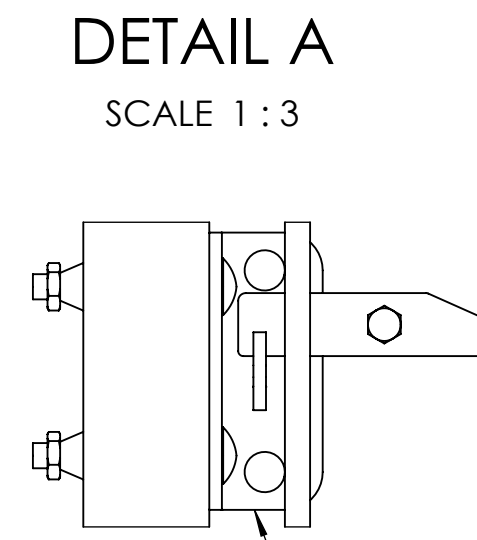
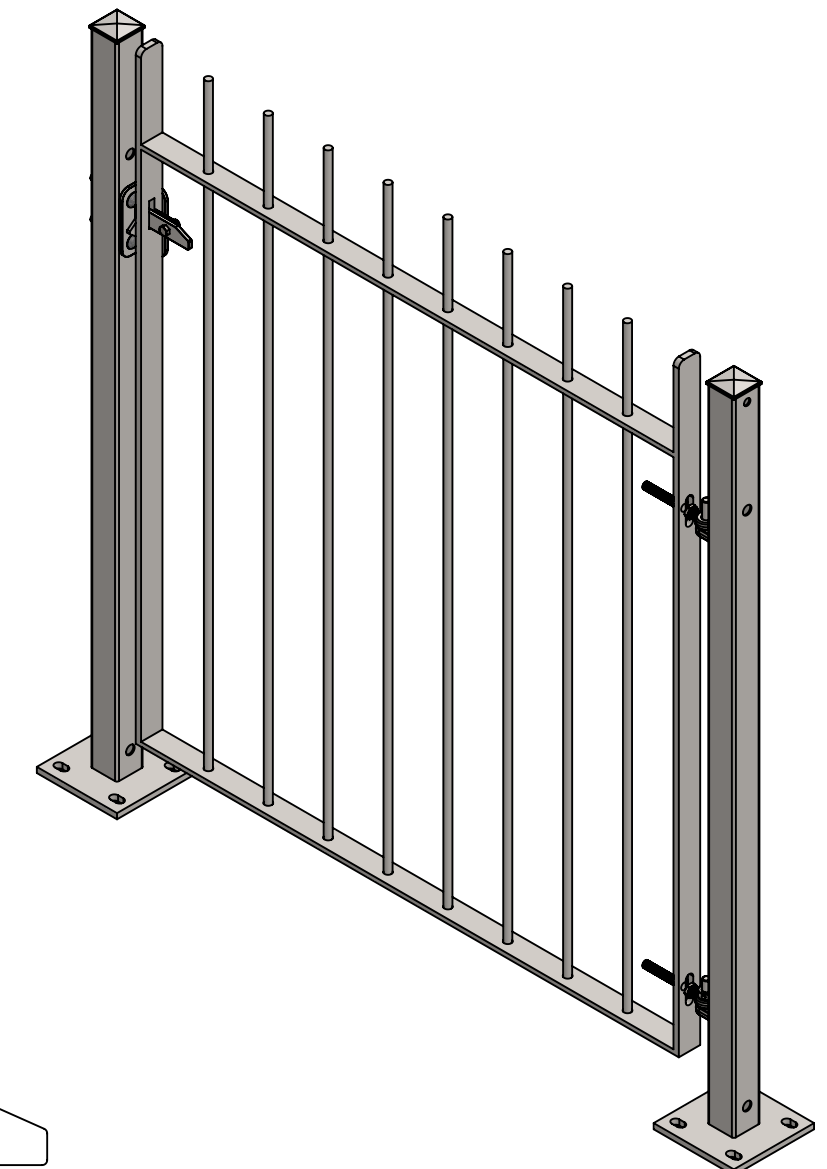


DETAIL B
SCALE 1 : 3



DETAIL A
SCALE 1 : 3

Two Ø16mm Holes
For Padlock. Catch
is Reversible.



PART CODE	MATERIAL	FINISH
51SLBVB12121	Mild Steel	HDG
51SLBVB12121B	Mild Steel	HDG & PPC RAL 9005

DESCRIPTION: Vertical Bar 1200mm high single gate with bolt down posts				
	NAME	DATE	REVISION	UNLESS OTHERWISE SPECIFIED ALL DIMENSIONS ARE IN MILLIMETERS
DRAWN	LT	02/05/2019	B	
CHECKED	LT	15/09/2020		
DO NOT SCALE DRAWING			SCALE:1:10	A3