

230V SWING GATE KIT FOR A PAIR OF GATES

Up to 400kg @ 3.5m or up to 800kg @ 2m per leaf



We would always advise you to spec your jobs with safety edges. When you see this symbol it is imperative that at least one is used.

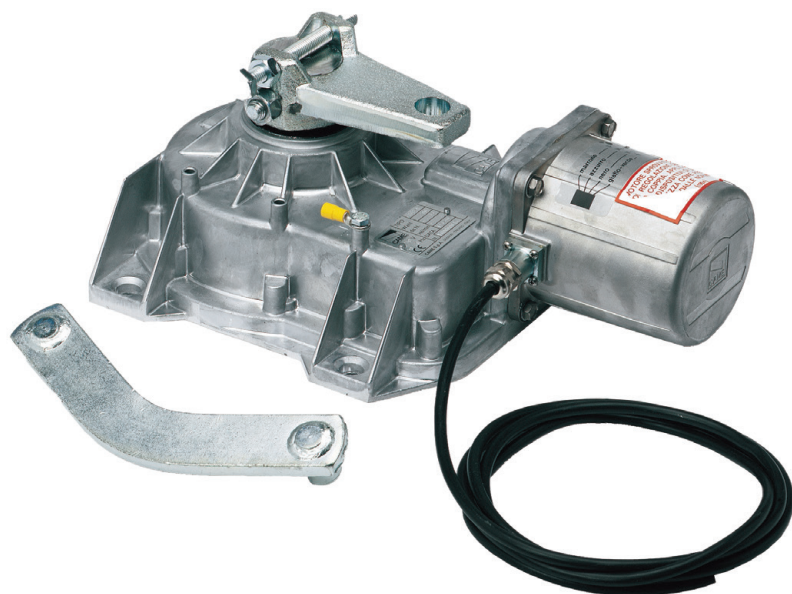


Code	Description	Quantity
001 FROG-AE 	Irreversible gearmotor for swing gates of up to 3.5 m per leaf, with built in adjustable opening and closing stops.	2
001 FROG-CFN	Foundation box in steel with cataphoresis treatment, complete with unlocking lever, fixing bracket to the gate and screw for adjusting the limit switch point in opening	2
002 ZM3EZ 	Multifunction control panel for swing gates with two leaves, graphic alerts display, testing of safety circuits for CAT 2 safety products and on-board radio programming.	1
001 A4364	Release device with lever key.	2
001 AF43S	Plug-in radio-frequency control card	1
806TS-0122	TOPD4RKS - Double frequency 4-button rolling code transmitter, black colour. 4,294,967,896 combinations.	2
001 TOP-A433N	Tuned Antenna.	1
001 DIR10 	Pair of 12 - 24 V AC - DC outdoor photocells – range 10 m.	1



FROG-AE

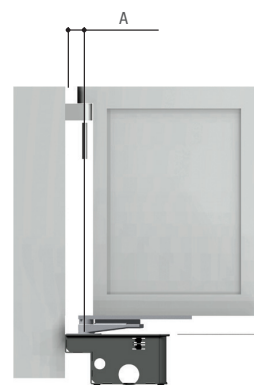
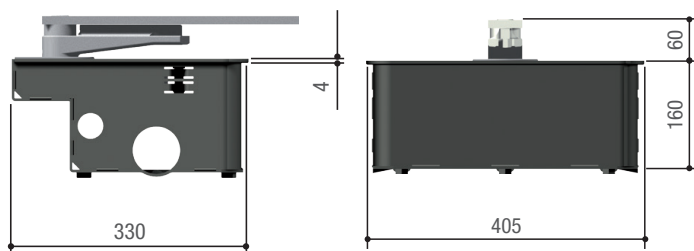
Gate leaves of up to 1.8 m



Below-ground solution suitable for fitting to gates in single homes and apartment buildings.

- The invisible solution to power your gate.
- High degree of protection against weathering (IP67).
- System automatically resets after the gate is manually released.
- Can open up to 180° (with the FL-180 accessory).
- FROG-AE and FROG-A24E with encoder technology, tested in compliance with current regulatory standards.
- Special steel foundation box with rustproof coating. Adjustable built-in leaf stops.

Dimensions (mm)



Operational limits

MODEL	FROG-AE			
Max. width of leaf (m)	*3,5	*2,5	2	-
Max. weight of leaf (kg)	400	600	800	-

NOTES: * We suggest fitting an electric lock onto the gate leaf.

Technical characteristics

MODELS	FROG-AE
Protection rating (IP)	67
Power supply (V - 50/60 Hz)	230 AC
Power supply to motor (V)	230 AC 50/60 Hz
Absorption (A)	1,9
Power (W)	200
Maneuvering time at 90° (s)	18
Duty/cycle (%)	30
Torque (Nm)	320
Operating temperature (°C)	-20 ÷ +55
Motor's heat protection (°C)	150

FROG-CFN

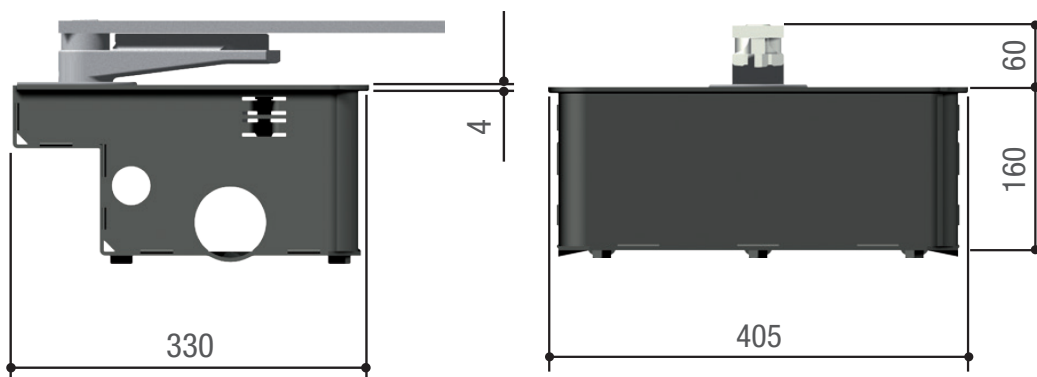
Foundation box



Foundation box in steel with cathoporesis treatment

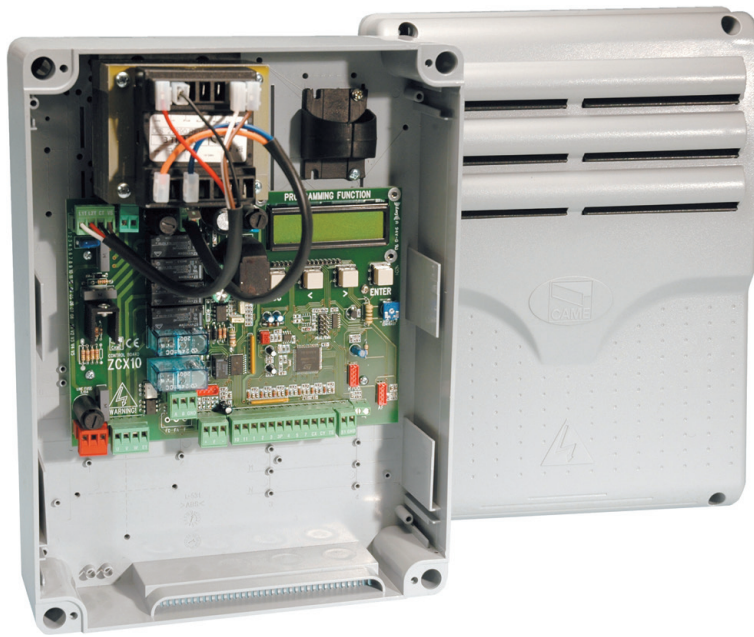
- Complete with unlocking lever, fixing bracket to the gate and screw for adjusting the limit switch point in opening

Dimensions (mm)



ZM3EZ

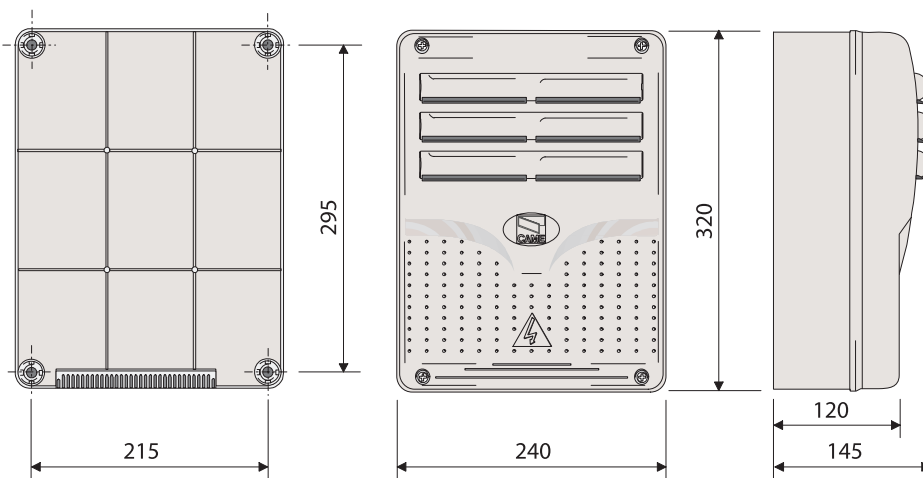
Control panel



Control panel for 230V gearmotors

- Multi-feature control panel for swing gates, with manageable limit-switches and slow-down speed adjusting.

Dimensions (mm)



Technical characteristics

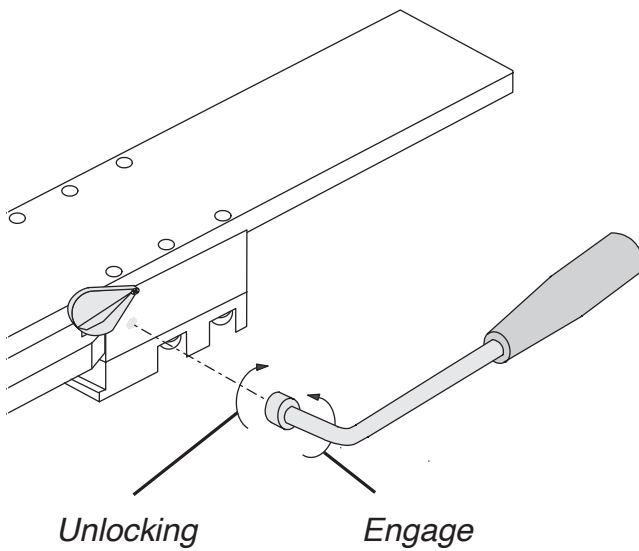
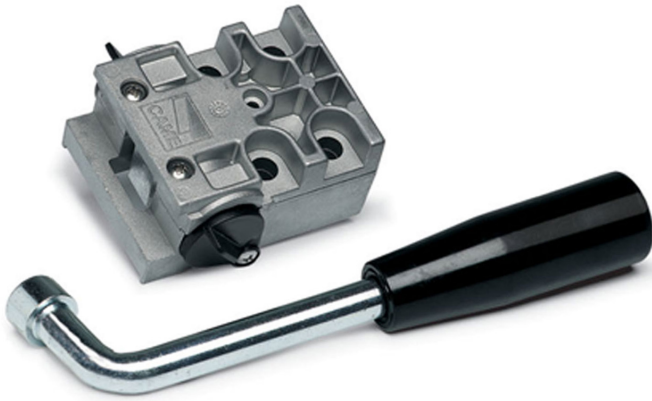
MODEL	ZM3EZ
Power supply (V - 50/60 Hz)	230 AC
Motor power supply (V)	230 AC
Standby consumption (W)	4,7
Standby consumption with the RGP1 (W) module	0,75
Power (W)	750
Colour	RAL 7040
Operating temperature (°C)	-20 ÷ +55
Protection rating (IP)	54
Insulation class	II

A4364

Mechanical release key

Mechanical release device with lever key for Frog motor.

- Unlocking mechanism
- Release device lever key
- 4 M8 x 35 cheese headed hexagonal socket screws
- 4 safety lock washer



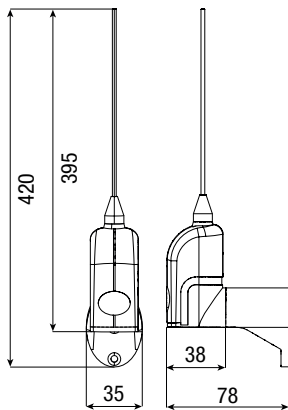
ACCESSORIES

TOPA433N

Tuned Antenna for 433.92Mhz



Dimensions (mm)



Operational limits

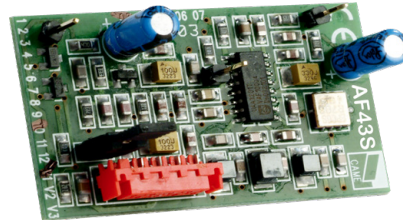
MODELS	TA433N
Max. range of radio (m)	50 ÷ 150

Technical characteristics

MODELS	TA433N
Radio signal frequency (Mhz)	433.92Mhz

AF43S

Radio frequency control card 433.92MHz



- Dip-switches for code and function selection
- Function enabling button
- Red signalling LED
- Green signalling LED
- Backup board
- Plug-in connector on receivers

Technical characteristics

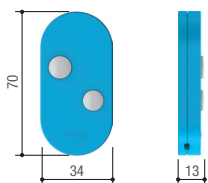
MODELS	AF43S
Power supply (V±10%)	5
Current draw (mA)	5.5
Encoding type	ASK
Operating temperature (°C)	-20 to +55
Sensitivity (dBm)	-107

TOPD4RKS

Rolling code 433.92 and 868.35 Mhz radio control



Dimensions (mm)



- Manages several operators on different frequencies.
- One device to manage two frequencies, that is, 433.92 MHz and 868.35 MHz.
- More secure thanks to the dynamic code.
- Uses only one CR2032 battery.
- Flat battery alert
- No setting required when selecting the frequency
- Comes in two-channel and four-channel versions.
- Available in six different colours.
- Surface-mounted receiver modules 806RV-0010 and 806RV-0020 - GAME KEY compatible.

Operational limits

MODELS	806TS-0122
Max. range of radio (m)	50 ÷ 150

Technical characteristics

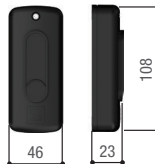
MODELS	806TS-0122
Combinations	4.294.967.896
Radio signal frequency (Mhz)	433,92 - 868,35
Operating temperature (°C)	-20 ÷ +55
Material	POLYCARBONATE

DIR10

Photocells



Dimensions (mm)



- Control the gate's area of movement
- Infrared beam, even synchronised, to prevent any external signal disturbances.
- For the DIR series photocells, there is a double-height post, and a new PVC version of the post, for installing in entry and exit points where heavy vehicles drive through.
- High degree of protection against weathering.

Operational limits

MODELS	DIR10
Max. range of radio (m)	10

Technical characteristics

MODELS	DIR10
Protection rating (IP)	54
Power supply (V)	12 - 24 AC - DC
Absorption	60
Max. rating of 24 V (A) relay contacts	0,5
Operating temperature (°C)	-20 ÷ +55
Material	ABS - POLYCARBONATE