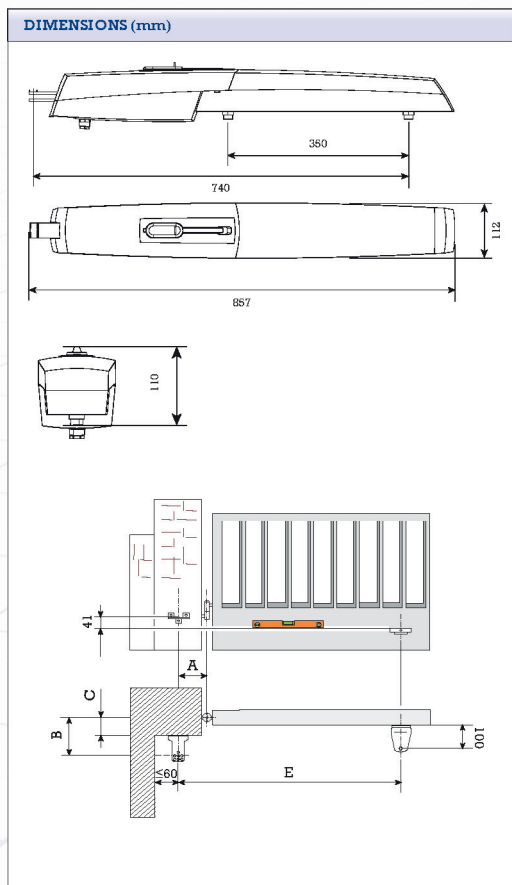


## DIMENSIONS



## TECHNICAL FEATURES

TYPE	21UOPP6000
Protection rating (IP)	44
Control panel power supply (V - 50/60 Hz)	230 AC
Power supply motor (V)	24 DC
Max. draw (A)	5
Max. power (W)	120
Duty cycle (%)	50
Opening time at 90° (s)	19
Operating temperature (°C)	-20 ÷ +55
Insulation class	3
Reduction ratio (i)	1/36
Thrust (N)	400 ÷ 2000
Weight (kg)	6.1 *

\*The weight of the motor includes the brackets. The motor alone weighs 4.6kg.

## LIMITS TO USE

TYPE	21UOPP6000		
Max. gate leaf length (m)	1.0	1.7	2.2
Max. gate leaf weight (kg)	250	225	200

## APPLICATION SIZE (mm)

OPENING (°)	A	B	C	E
90	130	110 ÷ 170	0 ÷ 60	740
115	150	110 ÷ 160	0 ÷ 50	740

Whilst every effort has been made to ensure the accuracy of the information supplied, F.H.Brundle cannot be held responsible for any errors or omissions. This product must only be employed for its original intended use. Any other use is wrong and potentially dangerous. Installation must be carried out in full compliance with current regulations. F.H.Brundle cannot be held liable for any damages resulting from wrongful, erroneous or negligent use.

Southampton

Tel: 023 8070 3333  
Fax: 023 8070 5555

Rainham

Tel: 01708 25 35 45  
Fax: 01708 25 35 50

Ilkeston

Tel: 0115 930 2070  
Fax: 0115 951 2455

Birmingham

Tel: 0121 565 8282  
Fax: 0121 565 8292

Haydock

Tel: 01942 86 88 88  
Fax: 01942 86 88 99

Edinburgh

Tel: 0131 335 5999  
Fax: 0131 335 5911

Glasgow

Tel: 0141 332 3231  
Fax: 0141 332 7325



**F.H.BRUNDRIVE**  
SERVING THE TRADE SINCE 1889

[www.fhbrundle.co.uk](http://www.fhbrundle.co.uk)  
[sales@brundle.com](mailto:sales@brundle.com)